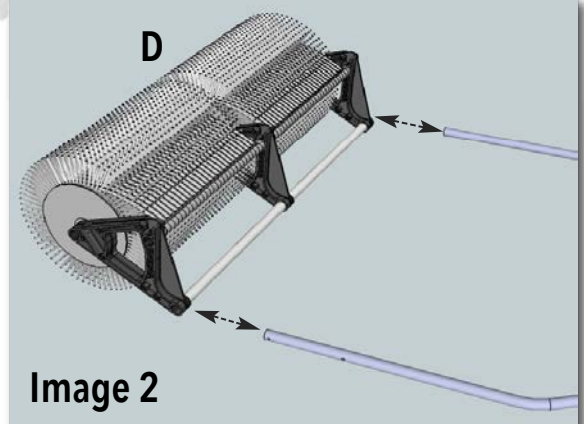


Step 1: Assemble the Aluminum Frame

- Remove the two wire pins (A) from the v-shaped aluminum nose bar (B) and set aside (Image 1)
- Insert the two aluminum legs (C) into both ends of the nose bar (end with only one hole)
- Align the holes of the nose bar with the holes in the legs and reinsert the wire pins to secure the aluminum frame

Step 2: Attach the Aluminum Frame to the Wheel Assembly

- Position the wheel assembly (D) with its two horizontal bars facing towards the aluminum frame with the aluminum frame's legs terminating at both ends of the wheel assembly (Image 2)
- Locate the bolt (E) that protrudes from the center of both sides of the wheel assembly (Image 3)
- Align the holes at the end of each aluminum frame leg with the bolt on each side of the wheel assembly and slide the bolts through the legs
- Securely fasten both legs to the wheel assembly by screwing one lock nut onto each bolt with a 7/16" socket wrench (Image 3)

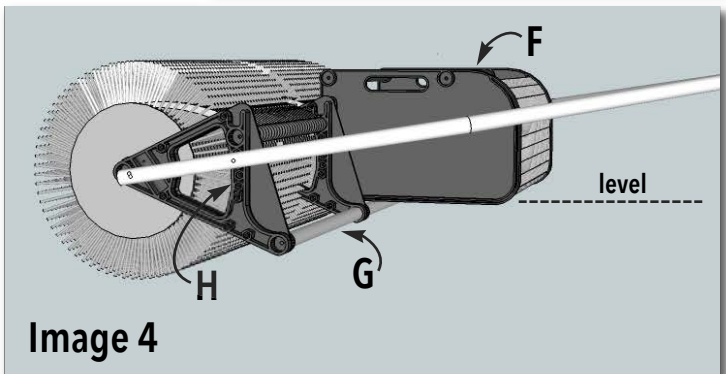
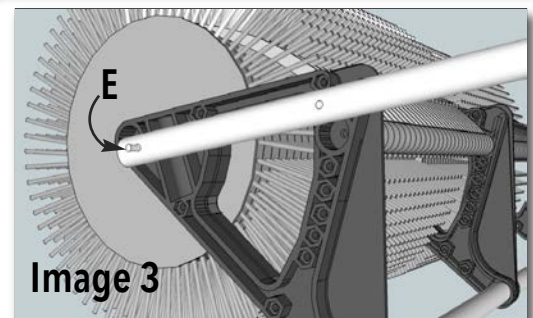


Step 3: Attach the Wheel Assembly to the Motorized Vehicle (ATV, Tractor, Riding Mower)

- Attach the carabiner or loop at the front of the aluminum frame to the back of the vehicle

Step 4: Adjust the Height of the Harvester

- Hang one of the baskets (F) on one of the sides of the wheel assembly (Image 4)
- Lift the wheel assembly's bottom horizontal bar (G) until the basket is level with the ground and retain that position
- Locate the hexagon hole (H) on the side of the wheel assembly's frame that is nearest to the holes in the aluminum frame's leg and align the holes (ensure that the basket is still level with the ground – if it cannot be made level, position the basket to slightly point up toward the motorized vehicle and down toward the wheel assembly)
- Insert one of the included 1/4" bolts into the wheel assembly's hexagon hole and out through the corresponding holes in the aluminum frame's leg
- Remove the basket and insert the remaining 1/4" bolt into the corresponding hexagon hole on the other side of the wheel assembly and through the holes in the aluminum frame. Note: Be sure to use the same hexagon hole position on both sides of the wheel assembly
- Use a 7/16" socket wrench to securely fasten a lock nut onto both of the 1/4" bolts



Step 5: Attach the Baskets

- Attach one basket to each side of the wheel assembly